



Equipment Engineering Academy

Fountain Equipment Principles of Operation (exert)

October 2015



Supporting Component Platforms

Valves



Filters



**CO2 Gas
Regulators**



Syrup Pumps



Tubing



Bag In Boxes (BIBs)



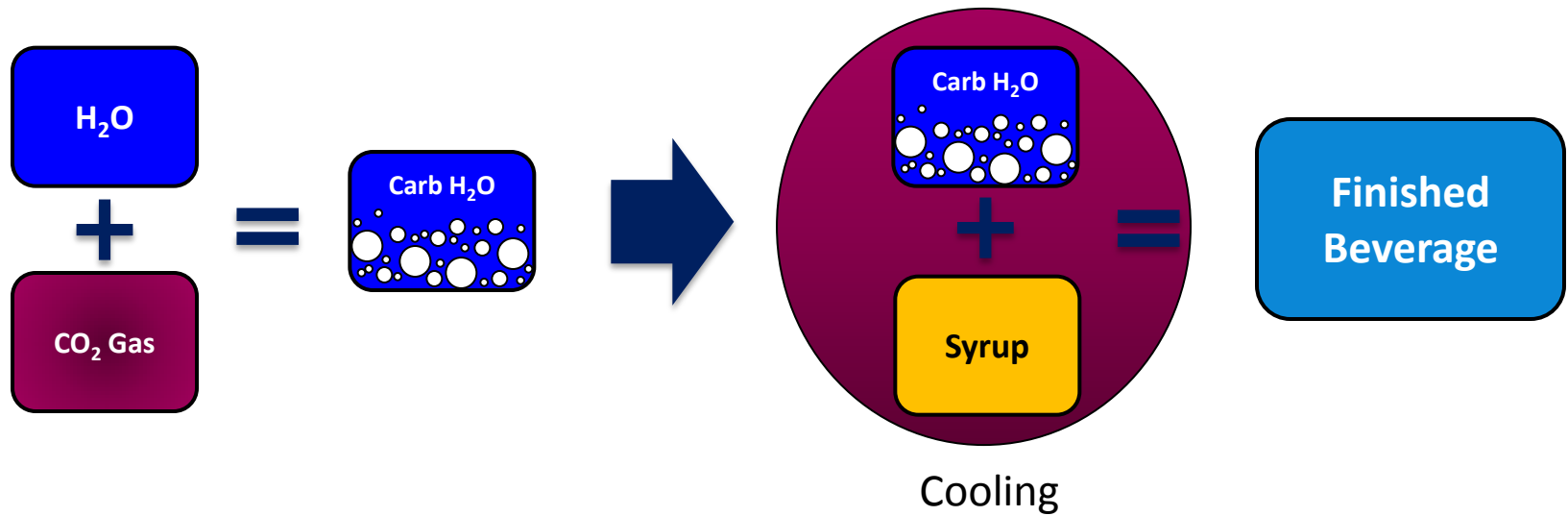
**BIB
Connectors**



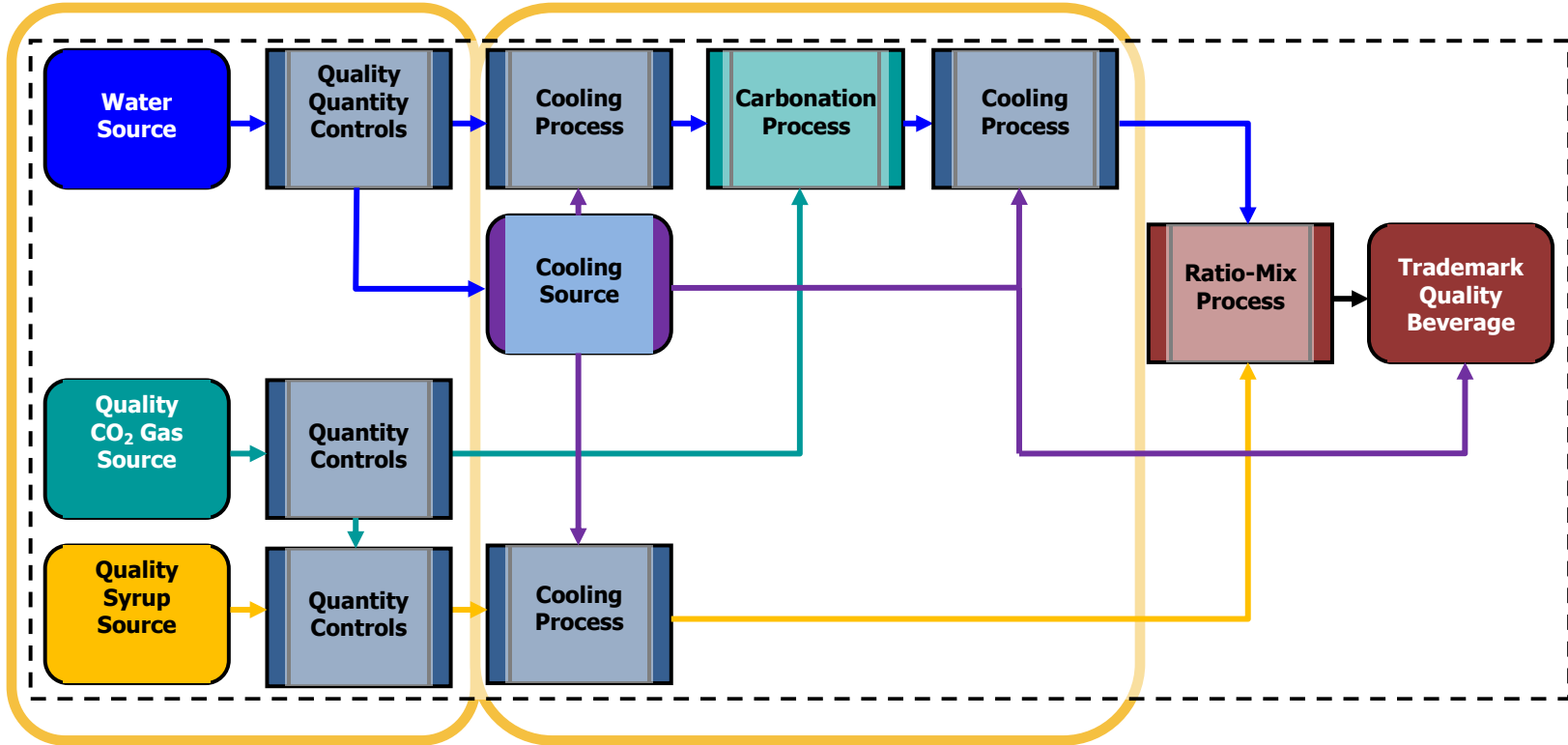
**Water Booster
Systems**



Operation Overview: Simple Carbonated Soft Drink System



Typical CSD Dispensing System Block Flow Diagram



**Back Room Package
(most common)**

**Dispensing Unit
(most common)**

Beverage Dispensing Block Flow Diagram

